

3M

3M-Matic™

L-Clip Applicator S-867



*Secure L-Clip
closure for
non-standard
packages*



3M-Matic™ L-Clip Applicator S-867... increases productivity, reduces operating expense

Manually sealing non-RSC style boxes may add time and effort to packaging operations. These case styles include five panel folds, full overlap, telescoping, and tuck fold.

The 3M-Matic™ L-Clip Applicator S-867 provides a cost-effective, time-saving solution by applying L-clips of tape securely and with less effort.

Semi-automatic unit applies pre-fed 4.5" L-clips of Scotch® Filament Tapes and Scotch® Box Sealing Tapes at up to 50 clips per minute. This innovative process eliminates the set time and waste of water-activated tape and the sharp points of staples.

Full pneumatic operation with no electric power needed.

Features include:

- Air pressure and flow controls optimally positioned to reduce unnecessary operator adjustments, improve ease of maintenance access, and add floor layout versatility
- Ability to position taping heads closer together to apply clips as close as 8" apart
- Oil-less operation to reduce maintenance
- Wide selection of tape widths: 9mm, 12mm, 15mm, 18mm, 24mm, and 36mm.

Easy and intuitive to use, the 3M-Matic Applicator S-867 makes consistent corner closures quickly and efficiently with minimal operator training.

Consistent tape length

- Conserves tape with virtually no waste

Easy versatile placement

- Small footprint of only 31" x 29"x 11"

Access cover

- Easy open access for tape threading
- Automatically shuts off air pressure when opened



Industrial-duty construction

- Heavy-duty one-piece steel frame
- Tough powder-epoxy coating paint

Optional single head stand

- For mounting and case handling

Box capacities



Length: 2.25" to unlimited
Width: 5" to unlimited
Height: 2.25" to unlimited

Case-activated switch plate

- Safely activates unit when case is pressed against the plate

Air shut-off

- Conveniently located for quick access



Optional multi-head configurations with dual head stand

- Applies L-clips side by side for long cases
- Positions L-clips as close as 8" apart

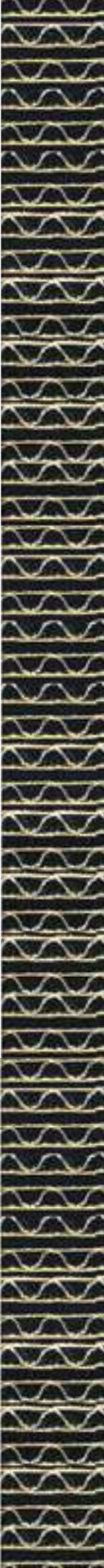
Air pressure and flow controls

- Positioned for easy maintenance



Optional U-Clip adapter

- Applies U-Clips of tape to lower profile cases



3M-Matic™ L-Clip Applicator S-867

Specifications:

Box:

Bottom taping position:

Size:	Min	Max
Height	2.25" (60mm)	No limit
Width	5" (130mm*)	No limit
Depth	2.25" (60mm)	No limit

Top taping position:

Size:	Min	Max
Height	2.25" (60mm)	No limit
Width	5" (130mm*)	No limit
Depth	2.25" (60mm)	No limit

Note: Operator will determine maximum height, width, length, and weight. Please contact your 3M sales professional for assistance in determining proper equipment layout and set-up, or call 1-800-362-3550.

Tape:

Scotch® Filament Tape.

Width: 3/8 inch [9mm] minimum to 1 1/2 inch [36mm] maximum
Roll diameter: up to 15 inches [380mm] maximum on a 3 inch [76.2mm] diameter core.

Applied tape length: 4.5 inches [115mm] (normal). Tape legs are 2.25 inches ± .125 inches [55mm ± 3.2mm]

Machine:

Cycle time: 1.2 seconds

Power:

60 to 65 psig [515 kPa - 560 kPa]

2.16 SCFM [3.65 m³/h 21°C, 101 kPa] at a maximum cycle rate. A pressure regulator-filter-lubricator is included.

Length: 31 inches [790mm]
(includes 360 yard [330m] tape roll)

Height: 29 inches [735mm]
(includes 360 yard [330m] tape roll)

Width: 11 inches [280mm]

Weight: 75 lbs. [34kg] unpackaged
83 lbs. [37.7kg] packaged

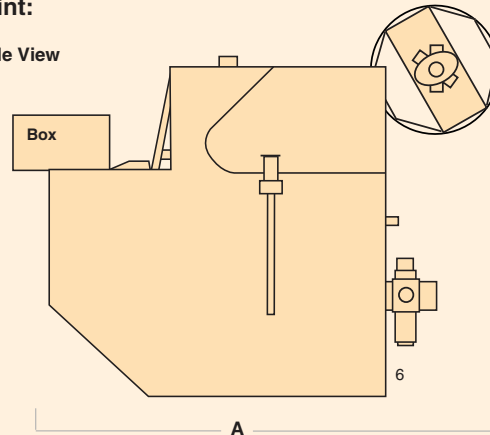
Operating conditions: Use in dry, relatively clean environments
at 40°F to 120°F with clean, dry boxes.

Note: Machine should not be washed down or subjected to conditions causing moisture condensation on components.

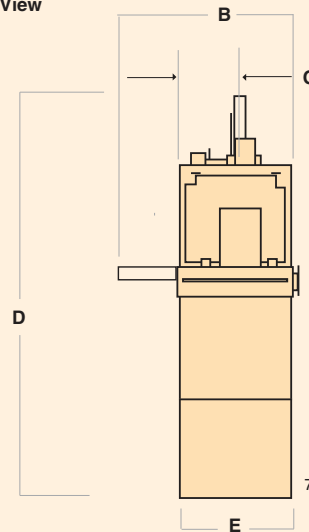
Please contact your 3M sales representative or call 1-800-362-3550 for application requirements outside the above specifications.

Footprint:

Right Side View



Front View



	A	B	C	D	E
Inches (mm)	32.0 (812)	11.0 (260)	4.25 (108)	29.0 (735)	6.5 (165)

Product Use: User is responsible for determining whether the product is fit for a particular purpose and suitable for user's method of application.

Warranty and Limited Remedy: THE FOLLOWING WARRANTIES ARE MADE IN LIEU OF ALL OTHER WARRANTIES, EXPRESS OR IMPLIED, INCLUDING, BUT NOT LIMITED TO THE IMPLIED WARRANTY OF MERCHANTABILITY, THE IMPLIED WARRANTY OF FITNESS FOR A PARTICULAR PURPOSE AND ANY IMPLIED WARRANTY ARISING OUT OF A COURSE OF DEALING, A CUSTOM OR USAGE OF TRADE: 3M warrants that its 3M-Matic™ L-Clip Applicator S-867 will be free from all defects for ninety (90) days after delivery.

If any 3M-warranted part is proved to be defective within its warranty period, then the exclusive remedy and 3M's and seller's sole obligation shall be, at 3M's option, to repair or replace the part, provided the defective part is returned immediately to 3M's factory or an authorized service station designated by 3M. A part will be presumed to have become defective after its warranty period unless the part is received or 3M is notified of the problem no later than five (5) calendar days after the warranty period. If 3M is unable to repair or replace the part within a reasonable time, then 3M, at its option, will replace the equipment or refund the purchase price. 3M shall have no obligation to provide or pay for the labor required to install the repaired or replacement part. 3M shall have no obligation to repair or replace (1) those parts failing due to operator misuse, carelessness, or due to any accidental cause other than equipment failure, or (2) parts failing due to non-lubrication, inadequate cleaning, improper operating environment, improper utilities or operator error.

Limitation of Liability: 3M and seller shall not be liable for direct, indirect, special, incidental or consequential damages based upon breach of warranty, breach of contract, negligence, strict liability or any other legal theory.

The foregoing Warranty and Limited Remedy and Limitation of Liability may be changed only by a written agreement signed by authorized officers of 3M and seller.



**Industrial Business
Industrial Adhesives and Tapes Division**

Bldg. 21-1W-10
900 Bush Ave.
St. Paul, MN 55106
1-800-362-3550
www.3M.com/packaging

3M-Matic™ and Scotch®
are trademarks of 3M.

Printed in U.S.A.
© 3M 2005

70-0710-0322-5